

Analogue TV Tuner (PAL) TV 5200

Product Information



- **Analogue TV Tuner PAL** (Standards B, G, D, K, I)
- **Stand-alone Plug & Play Solution**
- **4-times Antenna Diversity System**
- **Automatic Station Search**
- **Can store up to 12 Channels** (user presets)
- **2 x AV Input** (e.g. for DV 6200, Game Console etc.)

- **1 x AV Output to connect a Monitor** (e.g. MM 2700), **Multimedia Interface (MI 2200), Audio- or Navigation-System***
- **1 x additional Video Output** (e.g. to connect a further Monitor)
- **Infrared Remote Control with separate receiver** (cable length 5m)

- **Recommended Antenna Set: TVA 6500**

* Optional Adaptor Cable CA 1220 required for direct connection to Navigation System; CA 1220 is not compatible with Monitors MM 2100 and MM 2700

Application

TV 5200 guarantees high reception performance of analogue TV programs in combination with various connection possibilities for other Multimedia Components.

Reception Performance

The quality-tuner module in combination with a 4-times Antenna Diversity provides great mobile TV entertainment.

Various Input Connection Possibilities

2 additional AV sources can be connected to the TV 5200. By plugging i.e. a DVD Player (DV 6200) and a Game Console to the standard RCA/Cinch-Connectors, TV 5200 becomes the center of your Entertainment System.

2 Monitors addressable

The TV program as well as the further connected AV sources are provided on 2 Monitor Outputs in parallel – a perfect feature for your Rearseat Entertainment System.

Small dimensions

Its compact and flat design allows the installation as „hide-away-unit“ in many places of your car.

Plug & Play module

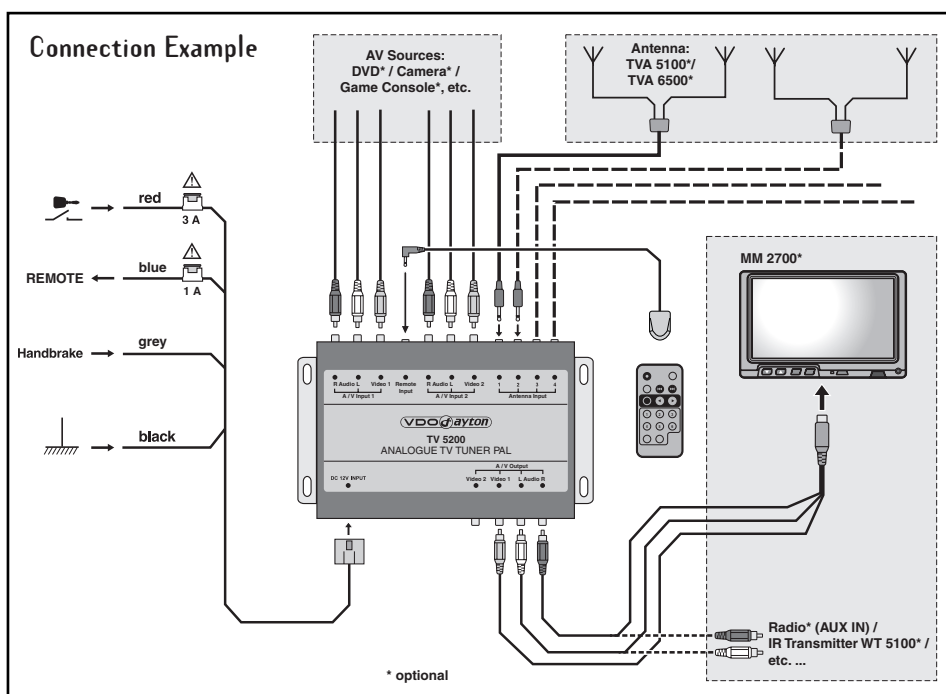
TV 5200 is an independent module and can be used „stand-alone“ (e.g. with the 7“ Entertainment Monitor MM 2700) as well as in combination with Navigation Systems.

OSD Language

English

Analogue TV Tuner (PAL) TV 5200

Technical Information



Technical Data

- Dimensions (W x H x D): 170 x 30 x 130 mm
- Weight: 600g
- Operating Voltage: 12 V DC
- Power Consumption: < 7 mA (Standby)
< 3 A (Operation)
- Operating temperature range: -20 °C ~ +75 °C
- Storage temperature range: -30 °C ~ +85 °C
- TV Standards: B, G, D, K, I
- Frequency Range: VHF / UHF
- Antenna RF Input Impedance: 75 Ohms
- Antenna Connector: 3.5mm mini-jack
- Audio- and Video-Connector type: RCA/Cinch

Package content

- TV Tuner hide-away box
- Power Cable
- Infrared Remote Control
- Infrared Receiver (cable length 5m)
- Mounting brackets and -screws
- Instruction for Use

www.VDODayton.com

